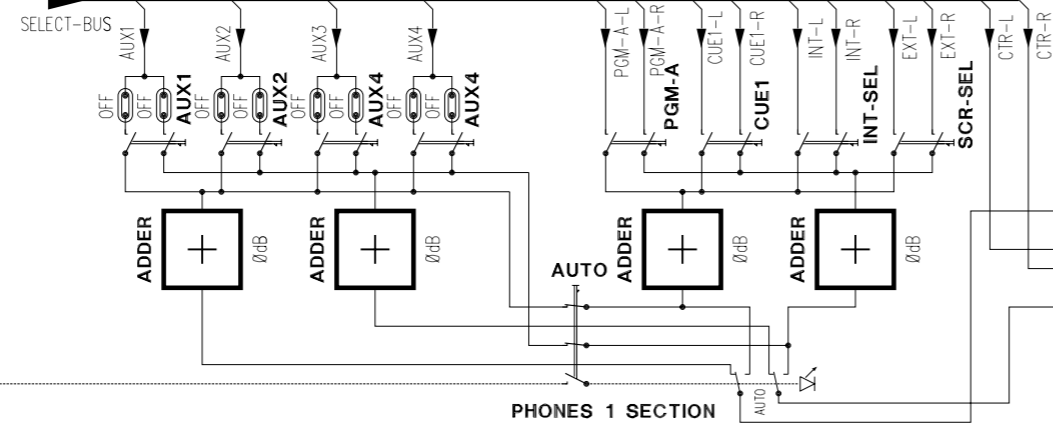


PARALLEL INSTALLATION  
EXTENSION-SELECT-3-IN  
BU25/1+3 SRC9-12  
BU25/2+4 SRC13-16

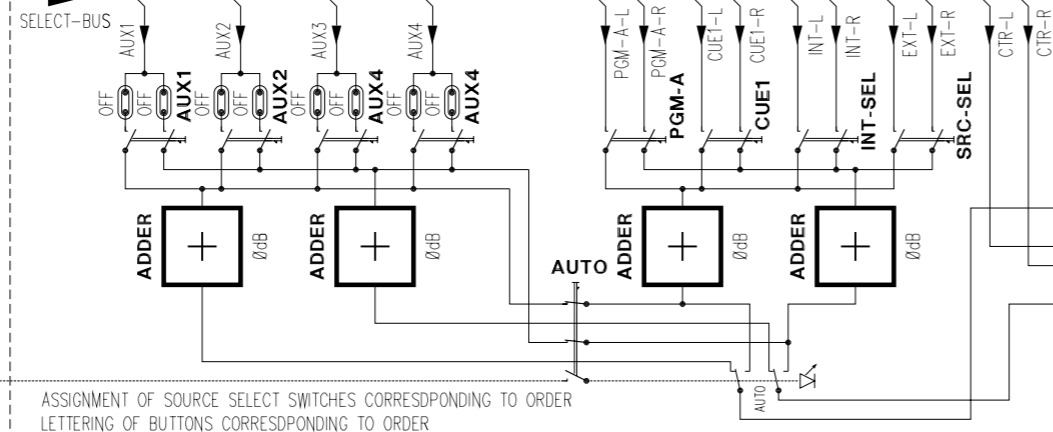
EXTENSION-SELECT-INPUTS 9-16 FROM SUB-D25

LETTERING OF BUTTONS CORRESPONDING TO ORDER

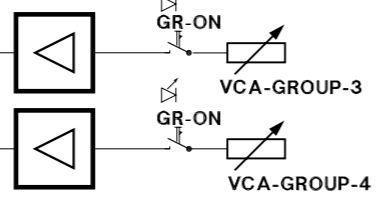
ASSIGNMENT OF SOURCE SELECT SWITCHES CORRESPONDING TO ORDER  
LETTERING OF BUTTONS CORRESPONDING TO ORDER



PHONES 2 SECTION IDENTICAL TO PHONES 1  
PHONES 3 SECTION IDENTICAL TO PHONES 1



ASSIGNMENT OF SOURCE SELECT SWITCHES CORRESPONDING TO ORDER  
LETTERING OF BUTTONS CORRESPONDING TO ORDER



Project	BC4	Object	BC-STU4b	Rev.:	1	Material:	
Customer			Playback-Modul	Ver.:	3	Surface:	
	(BS -2J)	Sheet Name	Block-Diagram	Sign:	Jg	Finish:	
	BSH			Date:		Cutsize:	
				Upd.:		Marks:	
Dipl.-Ing. Cerd Jüngling, Schottwiese 4-6, 45966 Gladbeck, Germany, Phone 0049 20 43 51061				Sheet 1 of			